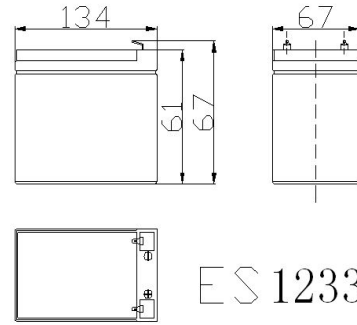


# ES1233

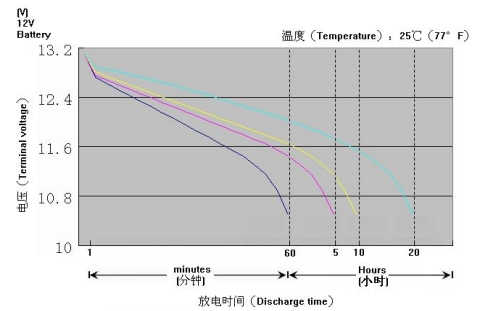
# Product Data Sheet

Issue Date: 29/06/2015

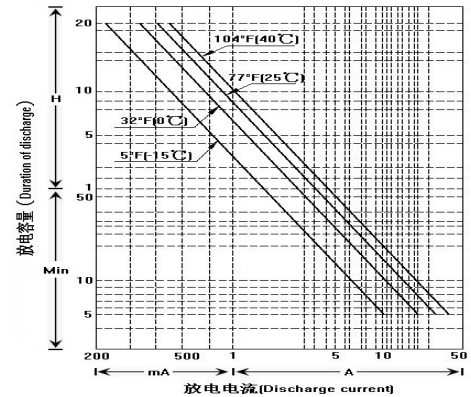
Issued By: R & J Batteries PTY LTD



Discharge characteristics 77°F(25°C)



Duration of discharge VS discharge current



Specifications:	
Model:	ES1233
Nominal Voltage	12V
Rated Capacity	
20 Hour Rate (0.165A to 10.5V)	3.3Ah
Hourly rate conversion capacity	
1 Hour Rate (3.3A to 10.5V)	2Ah
5 Hour Rate (0.66A to 10.5V)	2.8Ah
10 Hour Rate (0.33A to 10.5V)	3Ah
20 Hour Rate (0.165A to 10.5V)	3.3Ah
Dimension and Weight	
Length	134±2mm
Width	67±2mm
Height	61±2mm
Total Height	67±2mm
Weight	1.2Kg
Shell	ABS
Self discharge Rate (20°C)	≥85%/3month
Internal Resistance	Fully charged Battery ≤10mΩ
Operating Temperature Ranger	
Discharge	-35°C(-31°F)~50°C(122°F)
Charge	-15°C(5°F)~40°C(104°F)
Storge	-15°C(5°F)~40°C(104°F)
Charging Methods	
Floating Use	13.5V~13.8V(25°C), Compensation co-efficient-3mv/cell/°C
Cycling Use	14.7V~14.9V(25°C), Compensation co-efficient-5mv/cell/°C
Max Charge Current	0.15C2(A)
Applications	Electric vehicle, solar power, wind power, telecom systems, UPS, Medical



R & J Batteries PTY LTD  
 852 Latrobe Street, Ballarat VIC 3350  
 1300 769 282 | rjbatt.com.au

