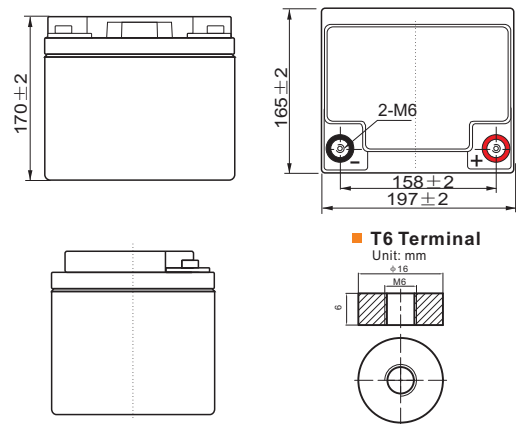


ES12450

Product Data Sheet

Issue Date: 08/11/2018

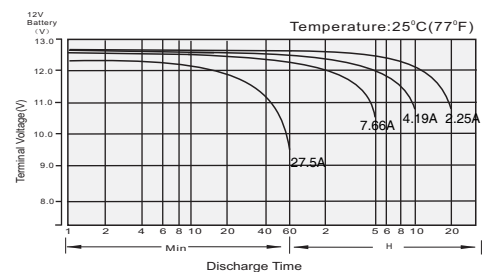
Issued By: R & J Batteries PTY LTD



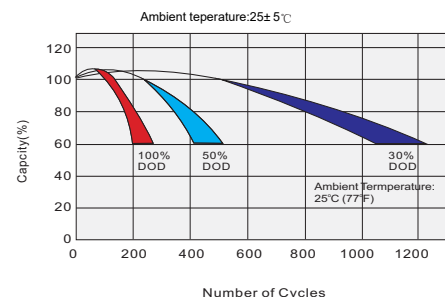
Specifications:

Model: ES12450	
Nominal Voltage	12V
Rated Capacity	
20 Hour Rate (2.25A to 10.8V)	45.0Ah
Hourly rate conversion capacity	
10 Hour Rate (4.19A to 10.8V)	41.9Ah
5 Hour Rate (7.66A to 10.5V)	38.3Ah
1 Hour Rate (27.5A to 9.6V)	27.5Ah
Dimension and Weight	
Length	197±2mm
Width	165±2mm
Height	170±2mm
Total Height	170±2mm
Weight	14.2Kg
Casing Material	ABS
Self discharge Rate (25°C)	≥91% /3 month
Internal Resistance	Fully charged Battery ≤9.0mΩ
Operating Temperature Range	
Discharge	-15°C (5°F) ~ 50°C (122°F)
Charge	0°C (32°F) ~ 40°C (104°F)
Storage	-15°C (5°F) ~ 40°C (104°F)
Charging Methods	
Float Use	13.5V~13.8V(25°C), Compensation co-efficient-3mv/cell/°C
Cycle Use	14.7V~14.9V(25°C), Compensation co-efficient-5mv/cell/°C
Max Charge Current	0.25C(A)
Applications:	Solar power, Wind power, Telecom systems, UPS

Discharge Characteristics



Cycle Life in Relation to Depth of Discharge



R & J Batteries PTY LTD

852 Latrobe Street, Ballarat VIC 3350

1300 769 282 | rjbatt.com.au