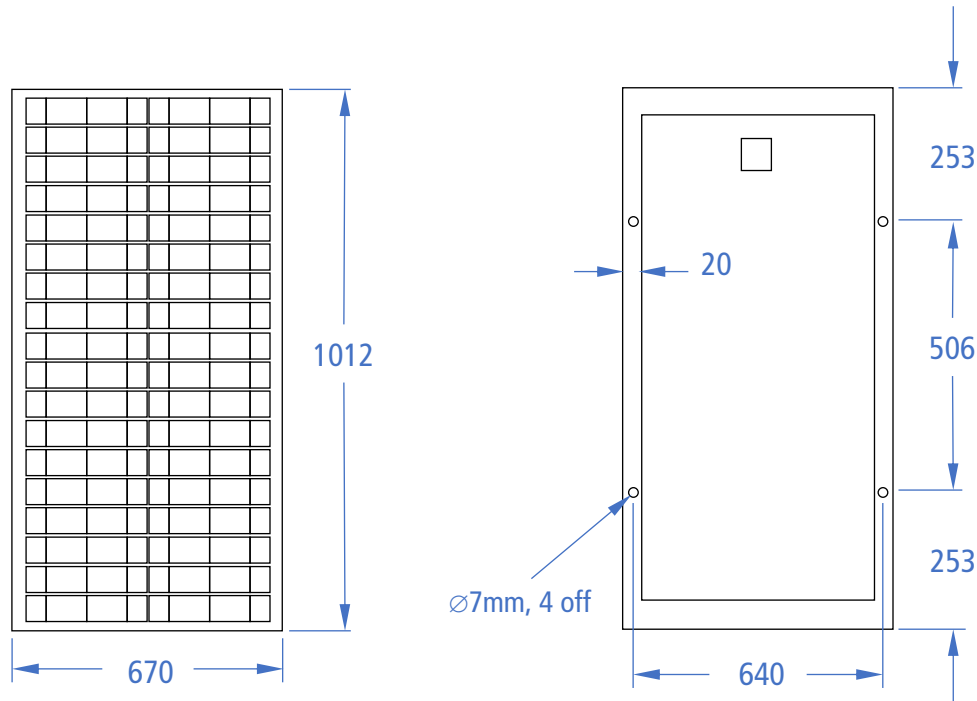


The REDMAX MT-105M-135W is a high efficiency monocrystalline solar panel with 3.2mm tempered glass on the front face and a durable anodized aluminium alloy frame.

This panel includes 900mm long cables fitted with MC4 connectors.



## TECHNICAL SPECIFICATIONS

<b>Maximum Power, <math>P_m</math></b>	135W	<b>Dimensions (LxWxH)</b>	1012 x 670 x 30mm
<b>Maximum Power Voltage, <math>V_m</math></b>	22.1V	<b>Weight</b>	7.1kg
<b>Maximum Power Current, <math>I_m</math></b>	6.11A	<b>Front Glass</b>	3.2mm Tempered Glass
<b>Open Circuit Voltage, <math>V_{oc}</math></b>	26.08V	<b>Hail Load Test</b>	Steel ball drop from 1m
<b>Short Circuit Current, <math>I_{sc}</math></b>	6.45A	<b>Frame</b>	Anodised Aluminium Alloy
<b>Cell Efficiency</b>	21%	<b>Junction Box Type</b>	IP65 rated
<b>Fill Factor, FF</b>	≥74%	<b>Temp. Coeff. @ <math>V_{oc}</math></b>	-0.24% to -0.33% / °C
<b>Working Temperature</b>	-40°C to +85°C	<b>Temp. Coeff. @ <math>P_m</math></b>	-0.37% to -0.42% / °C
<b>Power Tolerance</b>	±3%	<b>Temp. Coeff. @ <math>I_{sc}</math></b>	-0.03% to -0.04% / °C