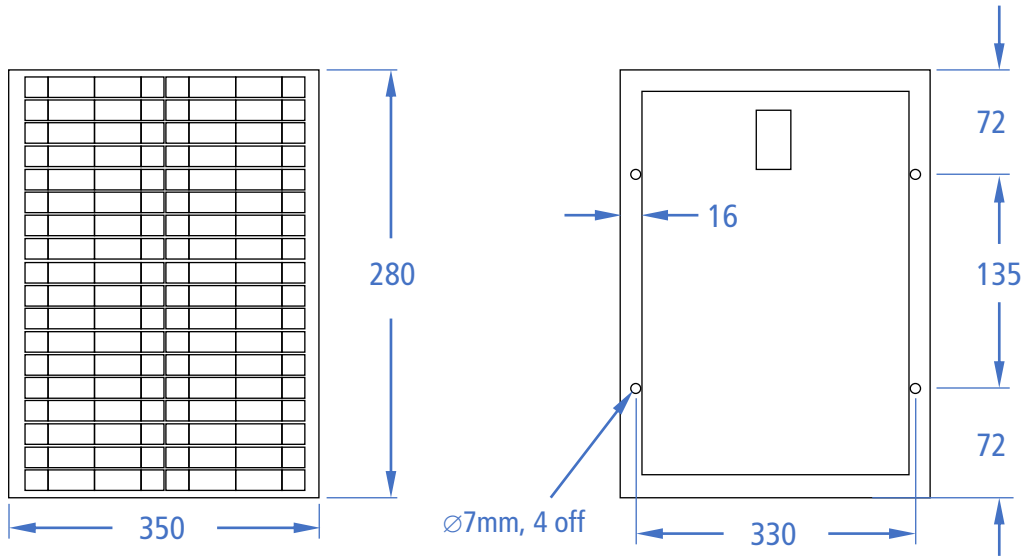


The REDMAX MT-105M-10W is a high efficiency monocrystalline solar panel with 3.2mm tempered glass on the front face and a durable anodized aluminium alloy frame.



### TECHNICAL SPECIFICATIONS

<b>Maximum Power, <math>P_m</math></b>	10W	<b>Dimensions (LxWxH)</b>	280 x 350 x 16mm
<b>Maximum Power Voltage, <math>V_m</math></b>	18.0V	<b>Weight</b>	1.1kg
<b>Maximum Power Current, <math>I_m</math></b>	0.56A	<b>Front Glass</b>	3.2mm Tempered Glass
<b>Open Circuit Voltage, <math>V_{oc}</math></b>	22.5V	<b>Hail Load Test</b>	Steel ball drop from 1m
<b>Short Circuit Current, <math>I_{sc}</math></b>	0.81A	<b>Frame</b>	Anodised Aluminium Alloy
<b>Cell Efficiency</b>	18.5%	<b>Junction Box Type</b>	IP65 rated
<b>Fill Factor, FF</b>	$\geq 74\%$	<b>Temp. Coeff. @ <math>V_{oc}</math></b>	-0.24% to -0.33% / °C
<b>Working Temperature</b>	-45°C to +80°C	<b>Temp. Coeff. @ <math>P_m</math></b>	-0.37% to -0.42% / °C
<b>Power Tolerance</b>	$\pm 5\%$	<b>Temp. Coeff. @ <math>I_{sc}</math></b>	-0.03% to -0.04% / °C