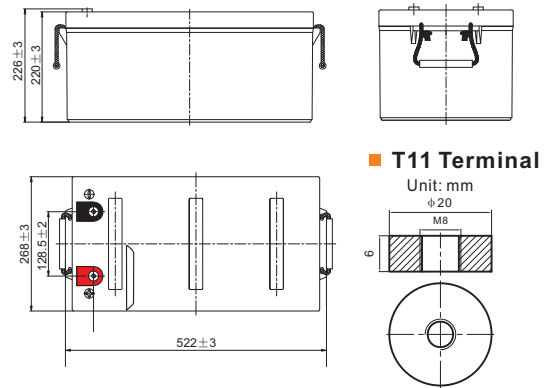


ED122600 Product Data Sheet

Issue Date: 05/11/2023

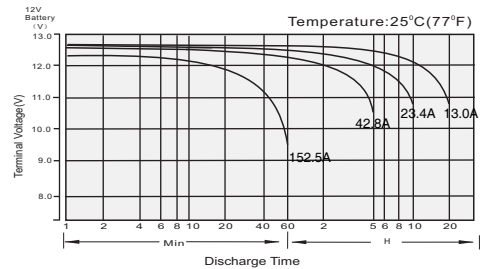
Issued By: R & J Batteries PTY LTD



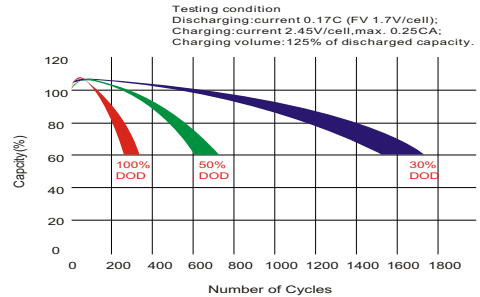
Specifications:

Model: ED122600	
Nominal Voltage	12V
Rated Capacity	
20 Hour Rate (13.0A to 10.8V)	260.0Ah
10 Hour Rate (23.4A to 10.8V)	234.0Ah
5 Hour Rate (42.8A to 10.5V)	214.0Ah
1 Hour Rate (152.5A to 9.6V)	152.5Ah
Dimension and Weight	
Length	522±3mm
Width	268±2mm
Height	220±2mm
Total Height	226±2mm
Weight	74.0Kg
Casing Material	ABS
Self discharge Rate (25°C)	≥91% /3 month
Internal Resistance	Fully charged Battery ≤ 2.5mΩ
Operating Temperature Range	
Discharge	-15°C (5°F) ~ 50°C(122°F)
Charge	0 °C(32°F) ~ 40°C(104°F)
Storage	-15°C(5°F)~40°C(104°F)
Charging Methods	
Float Use	13.5V~13.8V(25°C), Compensation co-efficient-3mv/cell/°C
Cycle Use	14.4V~14.8V(25°C), Compensation co-efficient-5mv/cell/°C
Max Charge Current	65A (0.25C)
Applications:	Electric vehicle, solar power, wind power, telecom systems, UPS, Medical, Toys

Discharge Characteristics



Cycle Life in Relation to Depth of Discharge



R & J Batteries PTY LTD

852 Latrobe Street, Ballarat VIC 3350

1300 769 282 | rjbatt.com.au